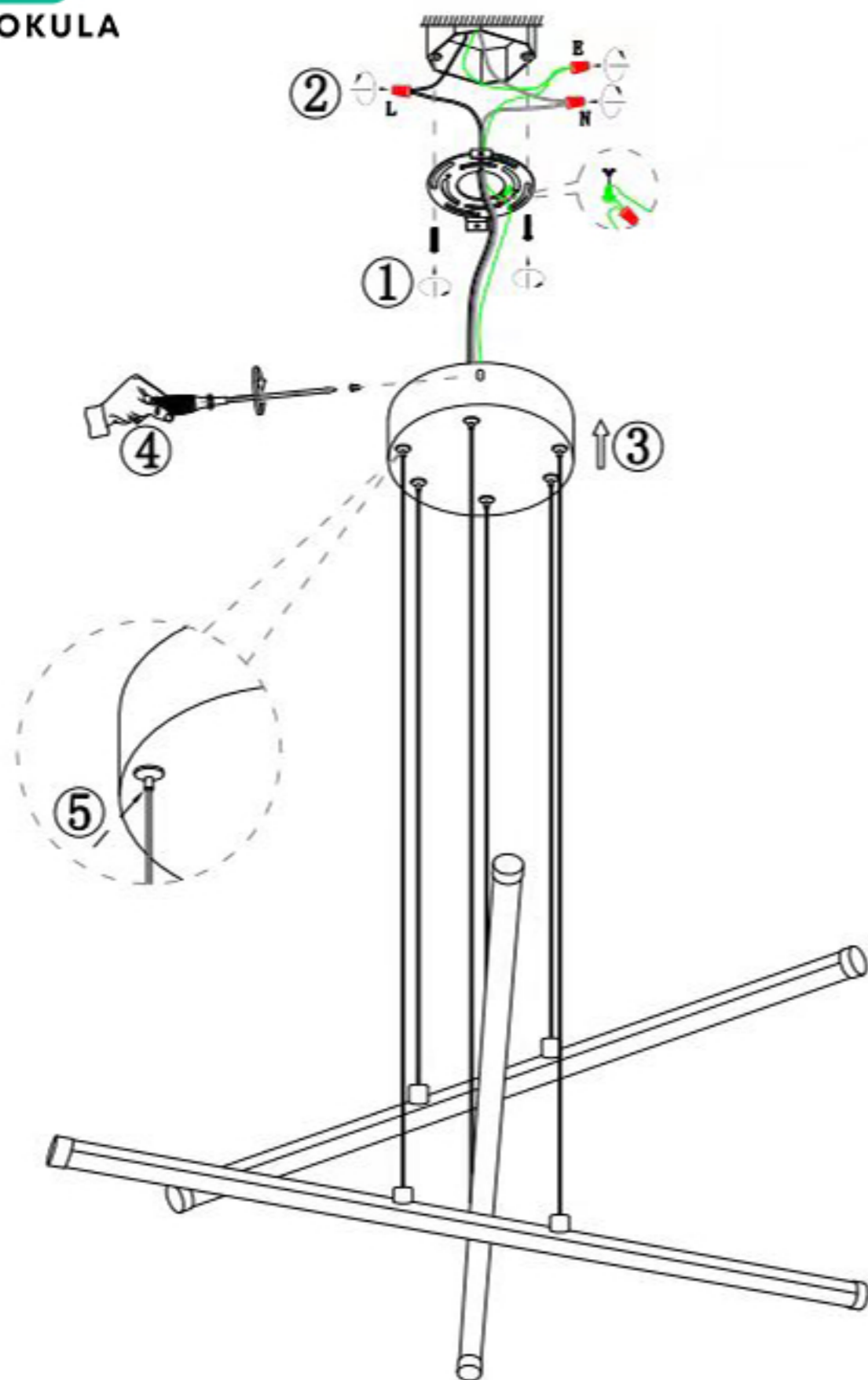




PAKOKULA



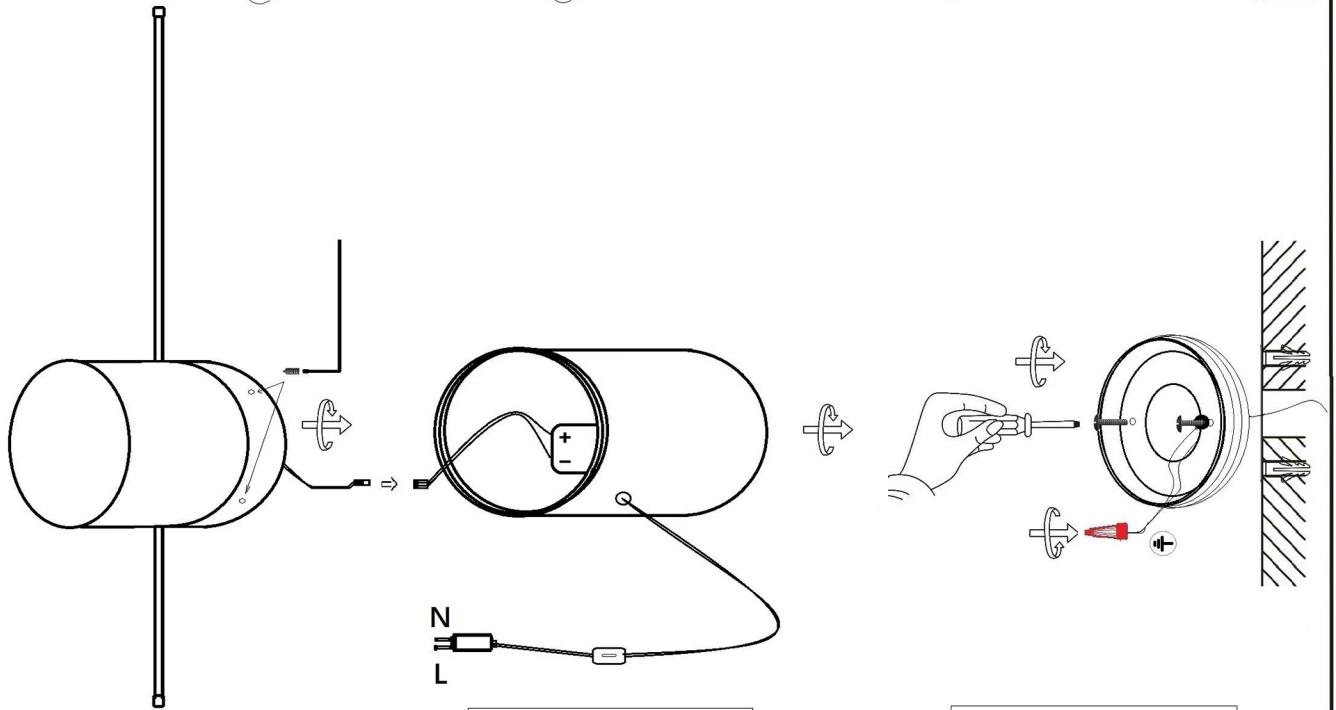
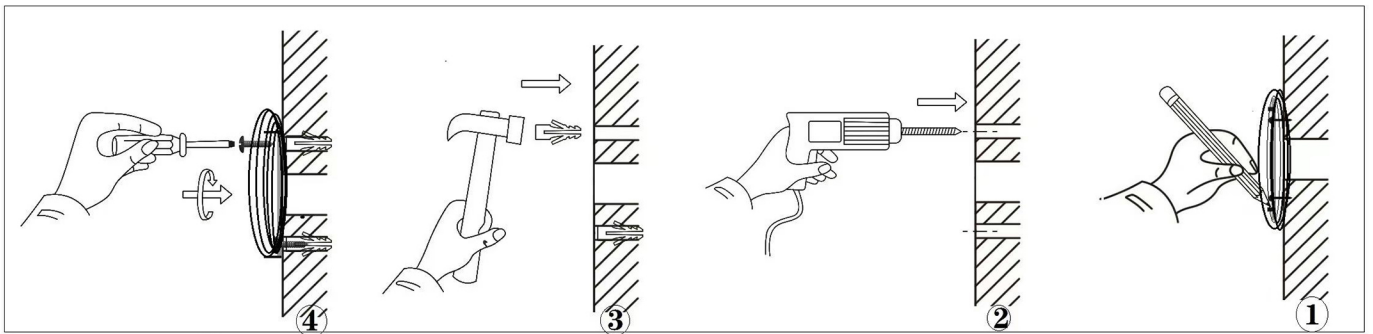
Installation steps:

1. Fix the hanging board on the junction box with screws
2. Connect the main line of the lamp body to the line reserved on the ceiling
- 3-4. Cover the lamp body on the hanging plate and tighten it with screws
5. Press here to adjust the length of the hanging wire

Notice:

1. Before installation, please check whether the parts are complete and whether the lamps are in good condition.
2. Cut off the power supply before installation, and then perform wiring.
3. Install the lamp body first, and then install the power supply.
4. Installation and maintenance must be carried out by professional and technical personnel.

Installation instructions



Accessories 3

Accessories 2

Accessories 1

Installation step:

- 1 . Screw accessory 1 to the wall.
- 2 . Fasten accessory 2 and accessory 1 with threads.
- 3 . Adjust the angle of accessory 3 to a suitable angle , and use an Allen wrench to tighten the screws at the connection between accessory 3 and accessory 2.
- 4 . The installation is complete.



PAKOKULA

ServiceCharles@pakokulalighting.com
<https://pakokulalighting.com/>

Reminder !

- 1: Please read the installation instructions carefully before using .;
- 2: Do not install lamps in children prone to touch and humid environment.
- 3: Please cut off the power before installation and install by professional personnel
- 4: If you have any questions, please contact the customer service staff directly.