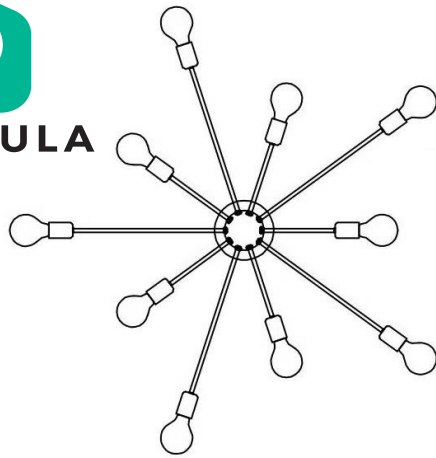


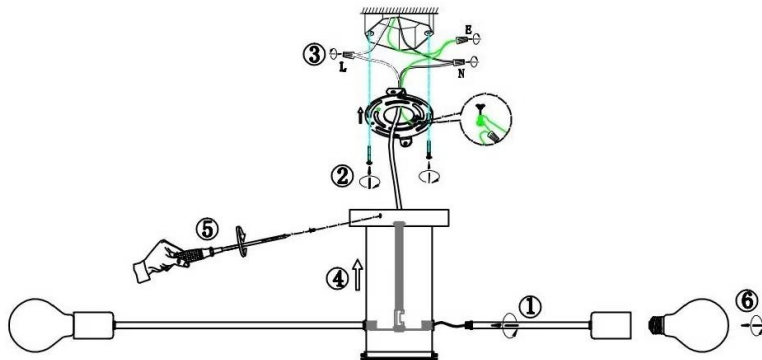


**PAKOKULA**



### Installation steps:

1. Twist the lamp arm into the lamp body  
(pay attention to protect the lamp cap wire from being damaged)
2. Fix the hanging plate to the junction box with the screws on the accessory package
3. Connect the main line on the ceiling panel with the wire reserved on the ceiling with the wiring cap
4. Put the whole lamp on the hanging plate (make the hanging plate hole align with the hole position of the ceiling plate)
5. Align the screw with the hanging plate hole and then screw it in  
(without a screwdriver)
6. Twist the bulb to the lamp holder



### Attention:

1. Please cut off the power supply before installation to prevent electric shock  
(installation by certified electrician is recommended)
2. Due to the different display, the actual color can be different from the image
3. Due to the manual measurement of lamp body size, there may be a deviation of 1 / 2 inch
4. If you have any questions or lost parts, please feel free to contact us and we will try our best to help you